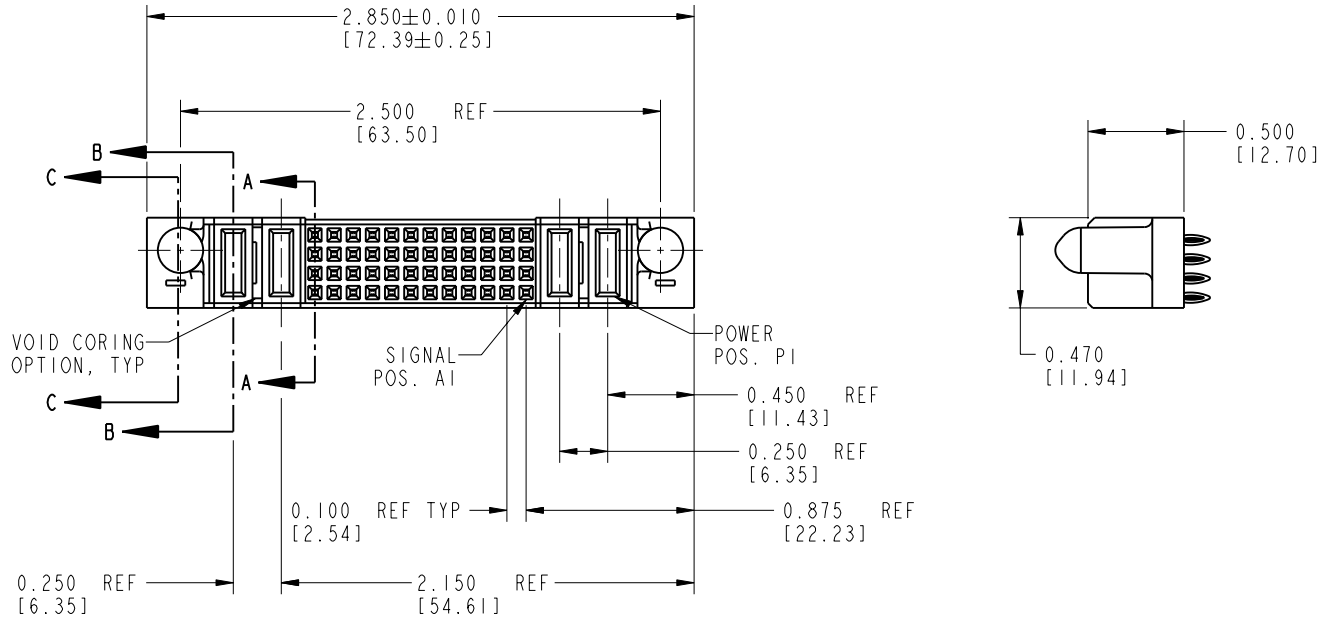


Tous droits strictement réservés. Reproduction ou communication o des liens interdite sous quelque forme que ce soit sans autorisation écrite du propriétaire. Propriété de c FCI. Droits de reproduction FCI.



All rights strictly reserved. Reproduction or issue to third parties in any form, whenever is not permitted without written authority from the proprietor. Property of FCI. Copyright FCI.

PRODUCT No.	ROWS	POWER			SIGNAL											POWER		E1			
		E2	P4	P3	12	11	10	9	8	7	6	5	4	3	2	1	P2		P1		
51750-014-- Note: ③	D C B A		PF	PC	F	F	F	F	F	F	F	F	F	F	F	F	F	F	PC	PF	



CODE	DIM "M"		CONTACT TYPE
	±0.010 [0.25]		
F	N/A	[N/A]	SIGNAL
PC	0.042	[1.07]	POWER
PF	0.092	[2.34]	POWER

mat'l code				NOTE 1		tolerances unless otherwise specified		CUSTOMER		FCI	
ltr	ecn no.	dr	date	linear	.XX±.01/0.X±0.3		COPY		www.fciconnect.com		
A	V10899	JWS	02-22-01		.XXX±.005/0.XX±0.13		projection		title		
B	V10982	JWS	03-08-01		.XXX±.0020/.XXX±.051		INCH/MM		2P + 48S + 2P		
C	DG05-0181	SJ	06/21/05	angles	0°±2°		scale		VERTICAL PRESS-FIT RECEPTACLE		
D	DG06-0265	JMG	07/03/06	dr	J. SHAFFER	02-22-01	1:1		product family		code
				engr	J. DODDS	02-22-01			PwrBlade		213
				chr	J. DODDS	02-22-01			size		sheet
				appd	J. DODDS	02-22-01			A		1 of 4
sheet index		revision sheet		D	D	D	D				
1		2		1	2	3	4				

Pro/E

cage code 22526

PDM: Rev:D

STATUS: Released

Printed: Aug 14, 2007

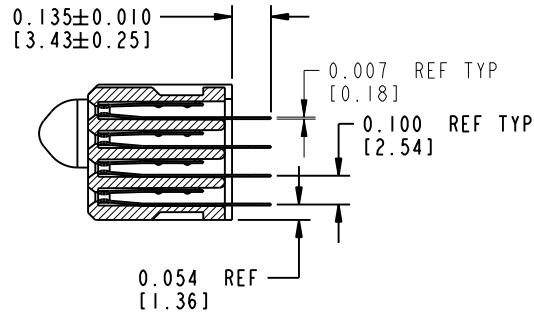
Tous droits strictement réservés. Reproduction ou communication o des liens interdite sous quelque forme que ce soit sans autorisation écrite du propriétaire. Propriete de c FCI. Droits de reproduction FCI.



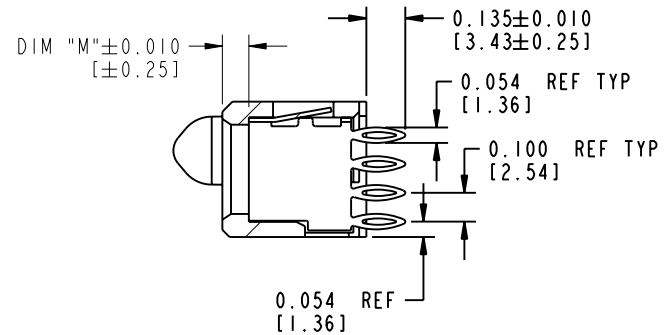
All rights strictly reserved. Reproduction or issue to third parties in any form, whatever is not permitted without written authority from the proprietor. Property of FCI. Copyright FCI.

PRODUCT NUMBER

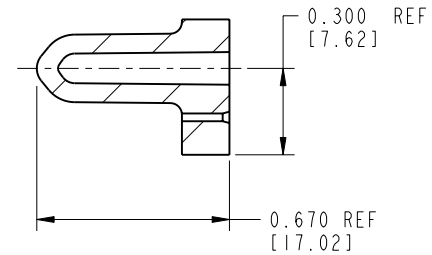
51750-014\_\_  
Note: ③



SECTION A-A  
SCALE 3:2



SECTION B-B  
SCALE 3:2



SECTION C-C  
SCALE 3:2

mat'l code		NOTE 1		tolerances unless otherwise specified		CUSTOMER		FCI	
lfr	ecn no.	dr	date	linear	.XX±.01/0.X±0.3	projection	COPY	www.fciconnect.com	
D				angles	.XXX±.005/0.XX±0.13		title	2P + 48S + 2P	
				dr	.XXX±.0020/.XXX±.051	INCH/MM	VERTICAL PRESS-FIT RECEPTACLE		product family
				enrg	0°±2°	scale	product family	PwrBlade	code
				chr	J. SHAFFER 02-22-01	1:1	size	A	213
				appd	J. DODDS 02-22-01		dwg no	51750-014	sheet
					J. DODDS 02-22-01			2	
sheet index	revision sheet								

Pro/E

cage code 22526

PDM: Rev:D

STATUS: Released

Printed: Aug 14, 2007

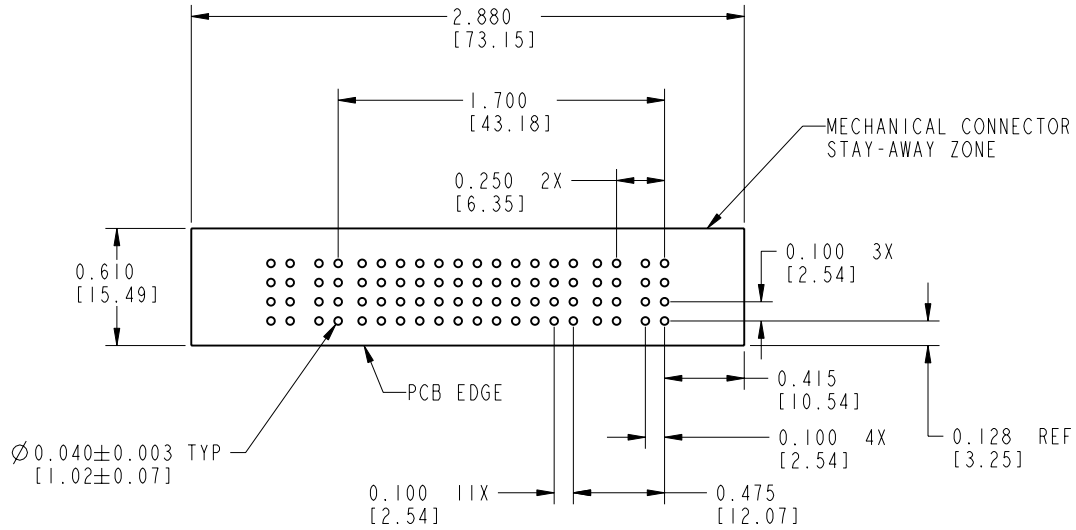
Tous droits strictement réservés. Reproduction ou communication o des liens interdite sous quelque forme que ce soit sans autorisation écrite du propriétaire. Propriété de c FCI. Droits de reproduction FCI.



All rights strictly reserved. Reproduction or issue to third parties in any form whatever is not permitted without written authority from the proprietor. Property of FCI. Copyright FCI.

PRODUCT NUMBER

51750-014\_\_  
Note: ③



RECOMMENDED PCB LAYOUT

mat'l code		NOTE 1		tolerances unless otherwise specified		CUSTOMER		FCI	
lfr	ecn no.	dr	date	linear	.XX±.01/0.X±0.3	COPY		www.fciconnect.com	
D				angles	.XXX±.005/0.XX±0.13	projection		title	
				dr	.XXX±.0020/.XXX±.051	INCH/MM		2P + 48S + 2P	
				enr	0°±2°	scale		VERTICAL PRESS-FIT RECEPTACLE	
				chr	J. SHAFFER 02-22-01	1:1		product family	
				appd	J. DODDS 02-22-01			PwrBlade	
					J. DODDS 02-22-01			code	
sheet index	revision sheet							213	
								3	

cage code 22526

Pro/E

PDM: Rev:D

STATUS: Released

Printed: Aug 14, 2007

Tous droits strictement réservés. Reproduction ou communication o des liers interdite sous quelque forme que ce soit sans autorisation écrite du propriétaire. Propriete de c FCI. Droits de reproduction FCI.



All rights strictly reserved. Reproduction or issue to third parties in any form whatever is not permitted without written authority from the proprietor. Property of FCI. Copyright FCI.

PRODUCT NUMBER

51750-014\_\_  
Note: ③

CONNECTOR NOTES:

1. FOR ADDITIONAL INFORMATION, REFER TO DRAWING NUMBER 51750.

PCB NOTES:

- ALL DIMENSIONS ARE BASIC UNLESS OTHERWISE SPECIFIED.
- 51750-014;51750-014LF;51750-014GLF PLATING SPEC. SEE PRINT:10064183
- ALL THROUGH HOLES ARE LOCATED WITH A TRUE POSITION OF 0.004 [0.10]
- ALL HOLE DIAMETERS ARE FINISHED HOLE SIZE
- $\varnothing 0.0453 \pm 0.0010$  [1.151  $\pm$  0.025] DRILLED HOLES PLATED WITH 0.0003 [0.008] MIN SnPb OVER 0.001 [0.03] TO 0.003 [0.08] Cu PLATING TO ACHIEVE A  $\varnothing 0.040 \pm 0.003$  [1.02  $\pm$  0.07] HOLE.

CONFIDENTIAL

mat'l code		NOTE 1		tolerances unless otherwise specified		CUSTOMER		FCI		www.fciconnect.com		
lfr	ecr no.	dr	date	linear	.XX±.01/.X±.3		COPY		projection	title		
D					.XXX±.005/.XX±.13		INCH/MM			2P + 48S + 2P		VERTICAL PRESS-FIT RECEPTACLE
				angles	.XXX±.0020/.XXX±.051		1:1		product family	PwrBlade		
					0°±2°		scale			size		code
				dr	J. SHAFFER	02-22-01	A		51750-014		213	
				engr	J. DODDS	02-22-01					sheet	
				chr	J. DODDS	02-22-01					4	
				appd	J. DODDS	02-22-01						
sheet index	revision sheet											

cage code 22526

Pro/E

PDM: Rev:D

STATUS: Released

Printed: Aug 14, 2007